

DIGITRON SEMICONDUCTORS

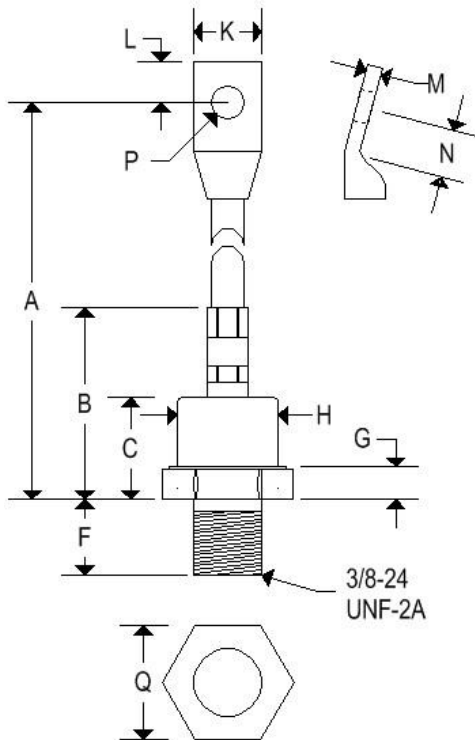
MECHANICAL CASE OUTLINE PACKAGE DIMENSIONS

DATE 24 AUG 2022

CASE DO-8R

STUD

CASE	HERMETICALLY SEALED METAL AND GLASS
MARKING	ALPHA NUMERIC
POLARITY	CATHODE IS STUD (CASE)
WEIGHT	78 GRAMS (APPROXIMATE)



	DO-8R			
	Inches		Millimeters	
	Min	Max	Min	Max
A	3.875	4.625	98.430	117.470
B	-	1.675	-	42.540
C	0.875	0.960	22.230	24.380
F	0.605	0.645	15.370	16.380
G	0.125	0.500	3.180	12.700
H	-	1.063	-	27.000
K	0.437	0.650	11.100	16.510
L	0.297	-	7.550	-
M	0.050	0.160	1.270	4.060
N	0.300	-	7.620	-
P	0.250	0.310	6.350	7.870
Q	1.031	1.063	26.190	27.000

This drawing is for reference only. Please refer to Digitron's published datasheet.